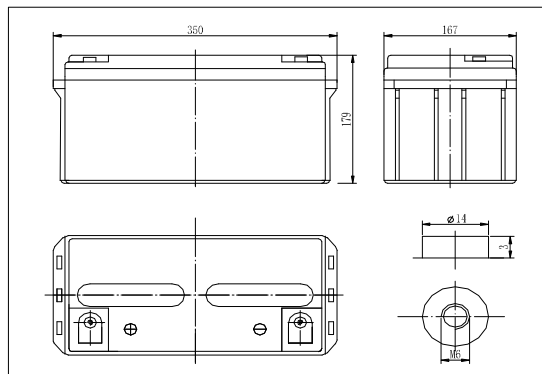


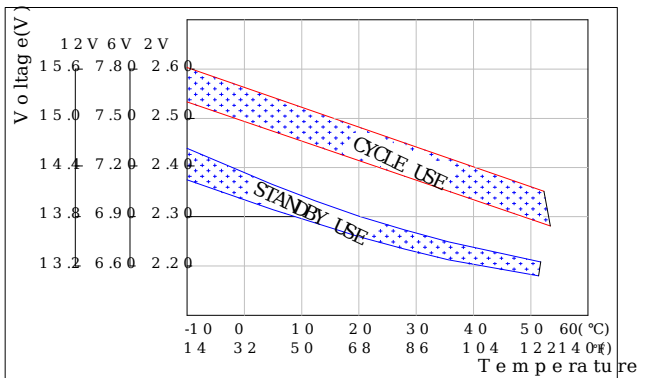
Dimensions



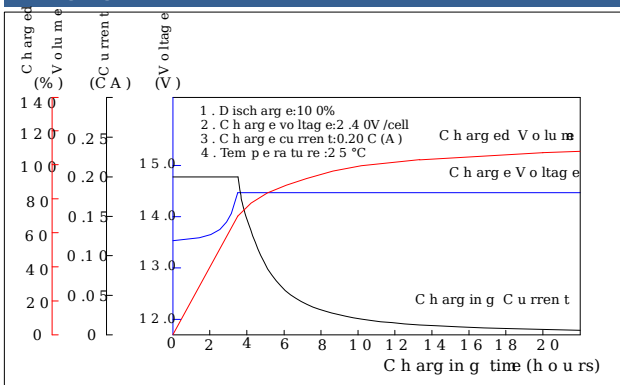
Specifications

Nominal Voltage		12V
Capacity (10hr@25°C@1.80V/C)		80Ah
Dimensions	Length	350mm (13.8inch)
	Width	167mm (6.57inch)
	Height	179mm (7.05inch)
	Total Height	179mm (7.05inch)
Approx. Weight		22.50kg (49.60lbs)
Maximum charging current		24.0A
Maximum discharge current		750A (5sec.)
Internal resistance		Approx. 5.5mΩ
Capacity affected by temperature (20hr)	40°C	103%
	25°C	100%
	0°C	86%
	-15°C	65%
Self-discharge (25°C)	3 month	Remaining Capacity: 91%
	6 month	Remaining Capacity: 82%
	12 month	Remaining Capacity: 65%
Nominal operating temperature		25°C ±3°C (77°F±5°F)
Operating temperature range		-20°C~55°C (-4°F~131°F)
Float charging voltage (25°C)		13.65 to 13.80V
Cyclic charging voltage (25°C)		14.40 to 15.00V
Terminal material		Copper

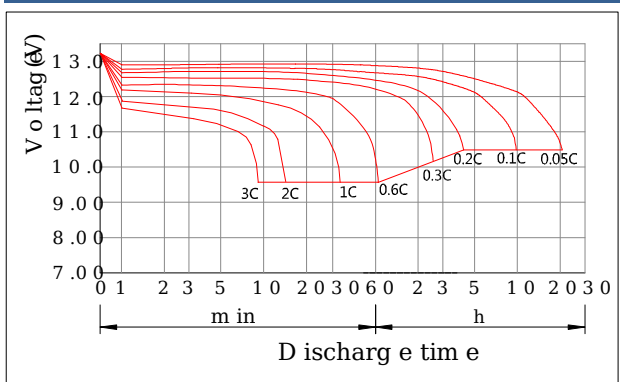
The Relationship for Charging Voltage and Temperature



Charging Characteristics (25°C)



Discharge Characteristics (25°C)



Constant Current Discharge Characteristics (Ampere / Battery, 25°C)

FV / TIME	5min	10min	15min	20min	30min	45min	1h	2h	3h	4h	5h	6h	8h	10h	20h
10.98V	184,30	144,53	114,46	93,61	72,75	54,22	44,91	26,29	20,08	16,10	13,68	11,74	9,23	7,76	4,07
10.80V	190,00	149,00	118,00	96,50	75,00	55,90	46,30	27,10	20,70	16,60	14,10	12,10	9,52	8,00	4,20
10.50V	204,00	159,00	126,00	102,00	77,60	57,30	47,10	28,10	21,80	17,20	14,40	12,30	9,63	8,05	4,23
10.20V	218,00	168,00	132,00	106,00	80,30	61,00	49,80	29,20	22,40	17,60	14,70	12,50	9,75	8,10	4,25
9.90V	233,00	178,00	137,00	110,00	83,00	62,20	51,60	29,80	22,50	17,70	14,70	12,50	9,79	8,15	4,28
9.60V	247,00	188,00	149,00	118,00	87,30	66,20	53,70	30,50	22,70	17,90	15,00	12,80	9,91	8,20	4,31

Constant Power Discharge Characteristics (Watt / Battery, 25°C)

FV / TIME	5min	10min	15min	20min	30min	45min	1h	2h	3h	4h	5h	6h	8h	10h	20h
10.98V	2031,18	1600,50	1268,76	1059,24	849,72	646,02	515,07	299,15	226,98	181,00	153,65	130,95	103,01	86,14	45,98
10.80V	2094,00	1650,00	1308,00	1092,00	876,00	666,00	531,00	308,40	234,00	186,60	158,40	135,00	106,20	88,80	47,40
10.50V	2208,00	1722,00	1392,00	1146,00	894,00	684,00	553,80	318,00	239,40	190,20	160,80	137,40	108,00	90,60	47,70
10.20V	2340,00	1794,00	1476,00	1194,00	906,00	702,00	562,80	322,20	242,40	192,00	162,00	138,60	109,80	92,40	47,94
9.90V	2520,00	1860,00	1500,00	1224,00	942,00	732,00	586,80	331,80	246,60	195,00	164,40	141,00	111,60	94,20	48,60
9.60V	2598,00	1938,00	1548,00	1272,00	990,00	744,00	591,60	339,00	255,00	200,40	167,40	144,00	114,60	96,60	50,40