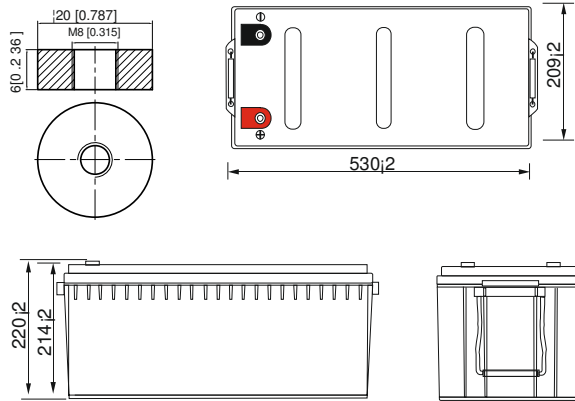
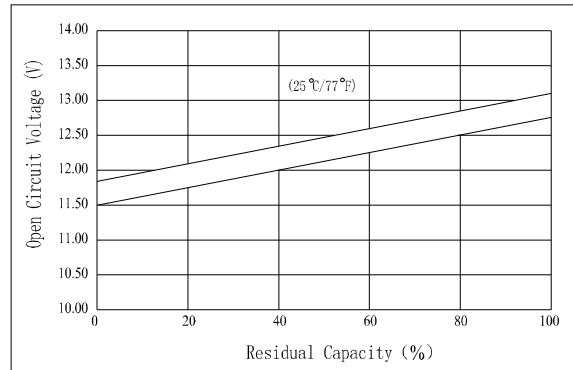


**Dimensions**

■ **T11 Terminal**  
Unit: mm [inches]



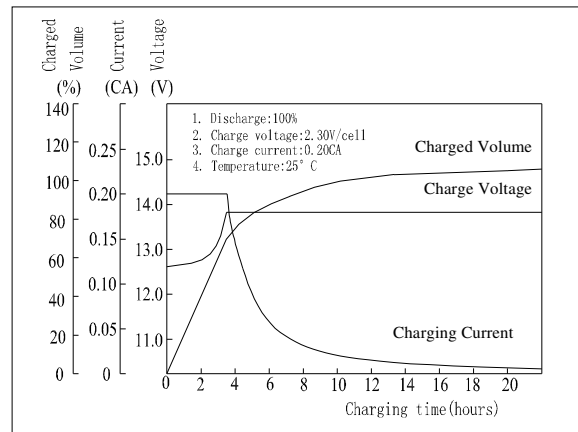
**The Relationship for Open Circuit Voltage and Residual Capacity (25 °C)**



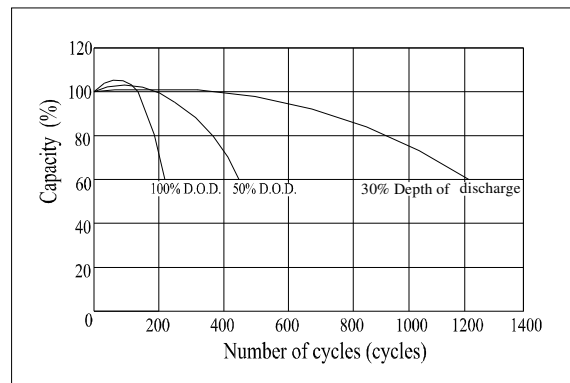
**Specifications**

Nominal Voltage	12V	
Capacity (20hr@25°C@1.8V/C)	187Ah	
Dimensions	Length	530mm (20.87inch)
	Width	209mm (8.23inch)
	Height	214mm (8.42inch)
	Total Height	220mm (8.66inch)
Approx. Weight	52.8kg (116.4lbs)	
Maximum charging current	54A	
Maximum discharge current	1800A (5sec.)	
Internal resistance (Fully charged, 25°C)	Approx. 3mΩ	
Capacity affected by temperature (10hr)	40°C	102%
	25°C	100%
	0°C	85%
	-15°C	65%
Self-discharge (25°C)	3 month	Remaining Capacity: 91%
	6 month	Remaining Capacity: 82%
	12 month	Remaining Capacity: 65%
Nominal operating temperature	25°C ±3°C (77°F±5°F)	
Operating temperature range	-15°C ~ 50°C (5°F ~ 122°F)	
Float charging voltage (25°C)	13.65 to 13.80V	
Cyclic charging voltage (25°C)	14.50 to 14.90V	
Terminal material	Copper	

**Charging Characteristics (25 °C)**



**Cycle Life (25 °C)**



**Constant Current Discharge Characteristics (Ampere / Battery, 25 °C)**

F.V/TIME	5min	10min	15min	30min	1h	3h	5h	10h	20h
9.60V	624,5	434,3	330,0	194,4	109,8	51,7	33,75	18,94	9,81
10.2V	513,4	370,6	290,2	174,6	102,6	48,2	31,79	18,36	9,63
10.8V	413,5	309,5	248,9	161,6	95,1	46,0	30,22	18,00	9,36

**Constant Power Discharge Characteristics (Watt / Battery, 25 °C)**

F.V/TIME	5min	10min	15min	30min	1h	3h	5h	10h	20h
9.60V	6211,2	4428,6	3465	2127	1238,4	592,8	390,6	223,32	115,92
10.2V	5302,8	3904,2	3122,4	1939,2	1171,8	556,8	370,2	217,26	114,06
10.8V	4488	3389,4	2748,6	1819,2	1094,4	534,6	354	213,42	111,06